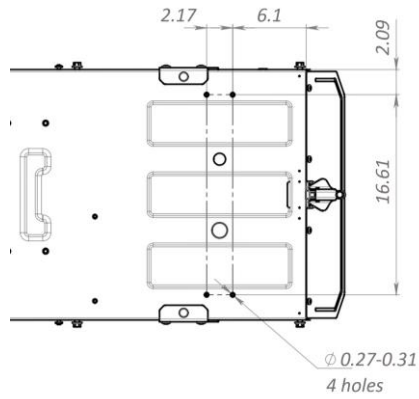
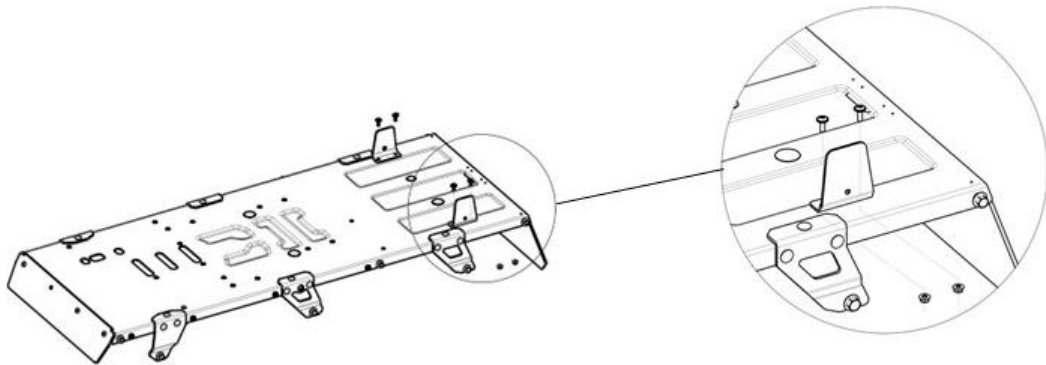


## CARGO BOX INSTALLATION INSTRUCTION

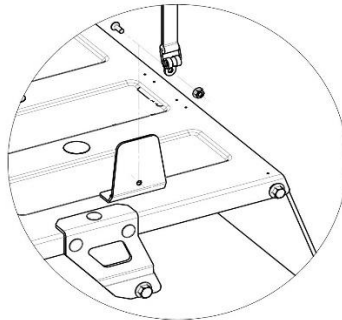
1. Drill four holes with a diameter 0.27-0.31" in the back part of the frame.



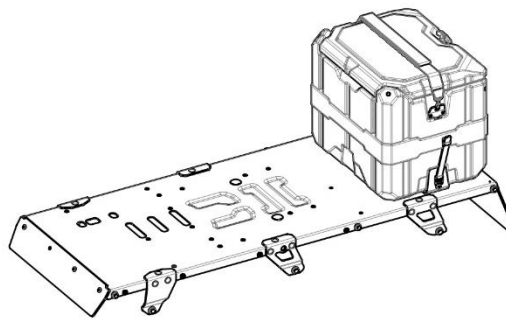
2. Using the fasteners, install the brackets in all four holes and tighten.



3. Using the fasteners, install the hook with the rubber latches in the holes of the brackets, on both sides.



4. Put the cargo box in the Snowdog and fix it with the rubber latches.



### **Warning!**

The fabric strap of the cargo box can be damaged by a hot muffler or lead to an accident. Place the strap inside the cargo box before using the Snowdog.